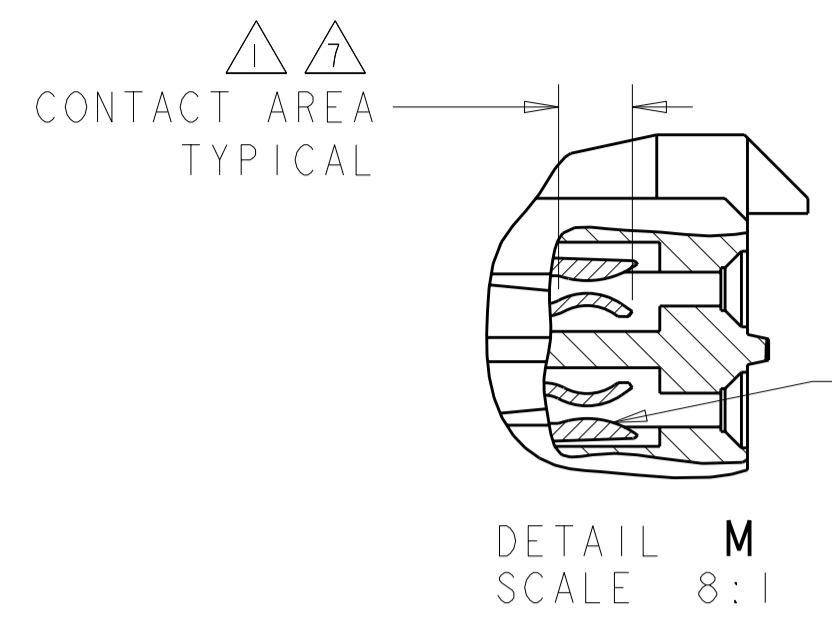
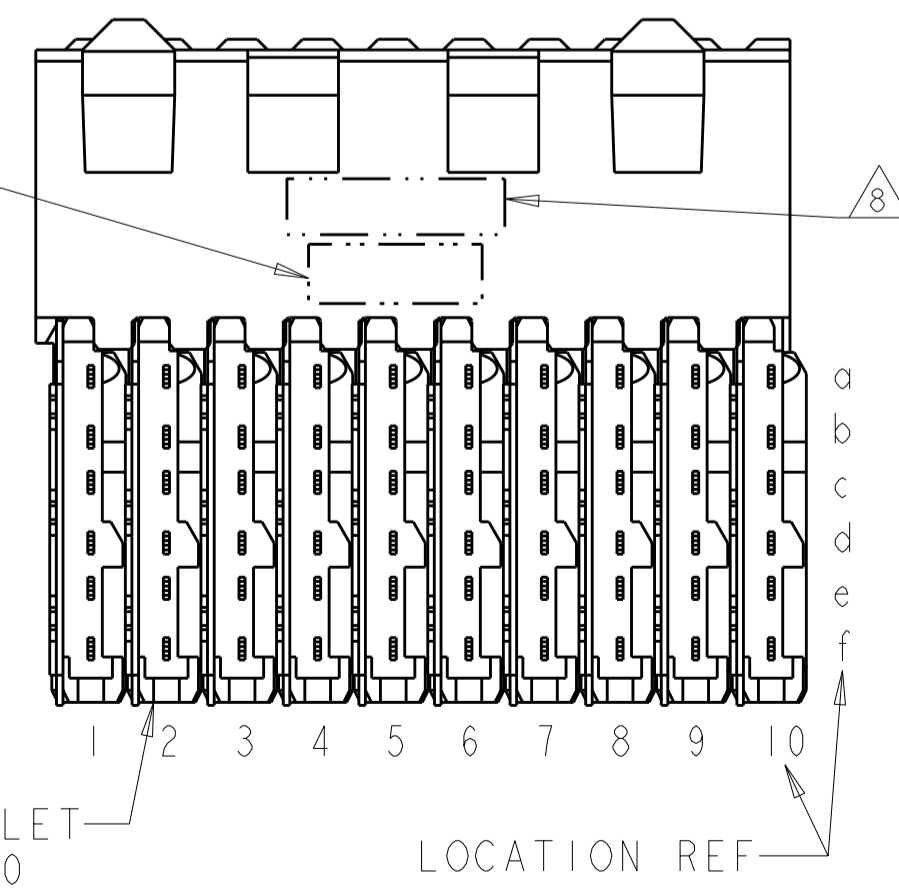
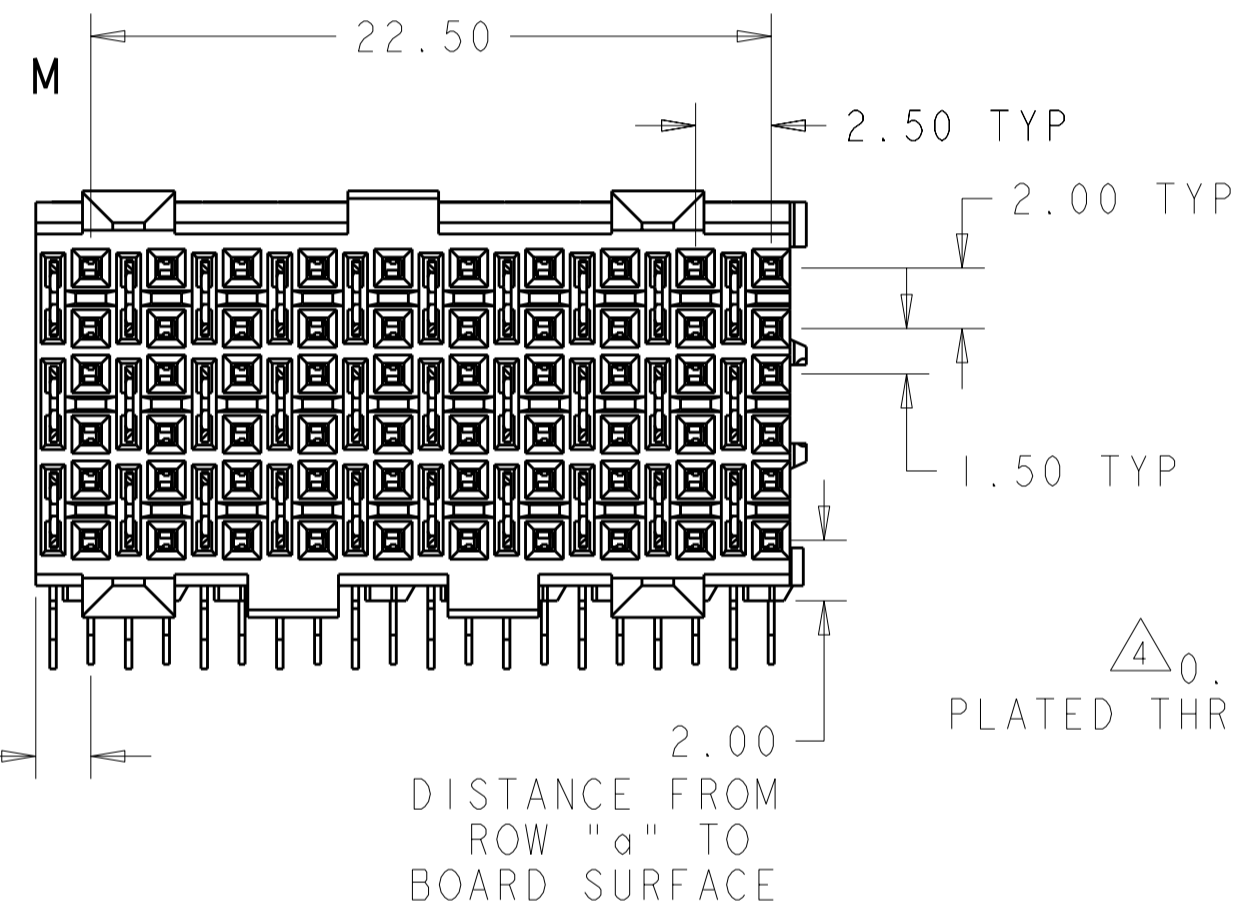
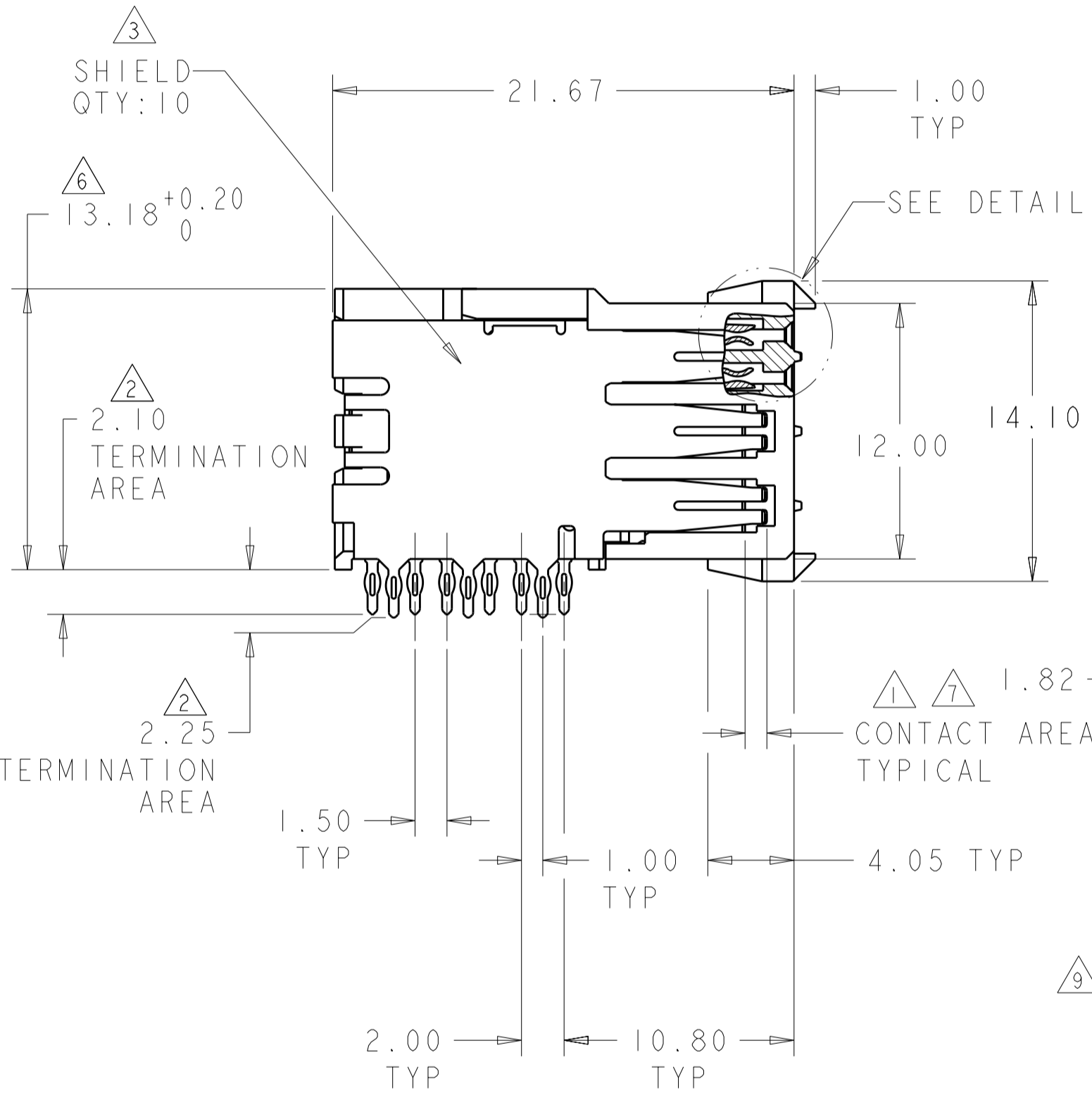
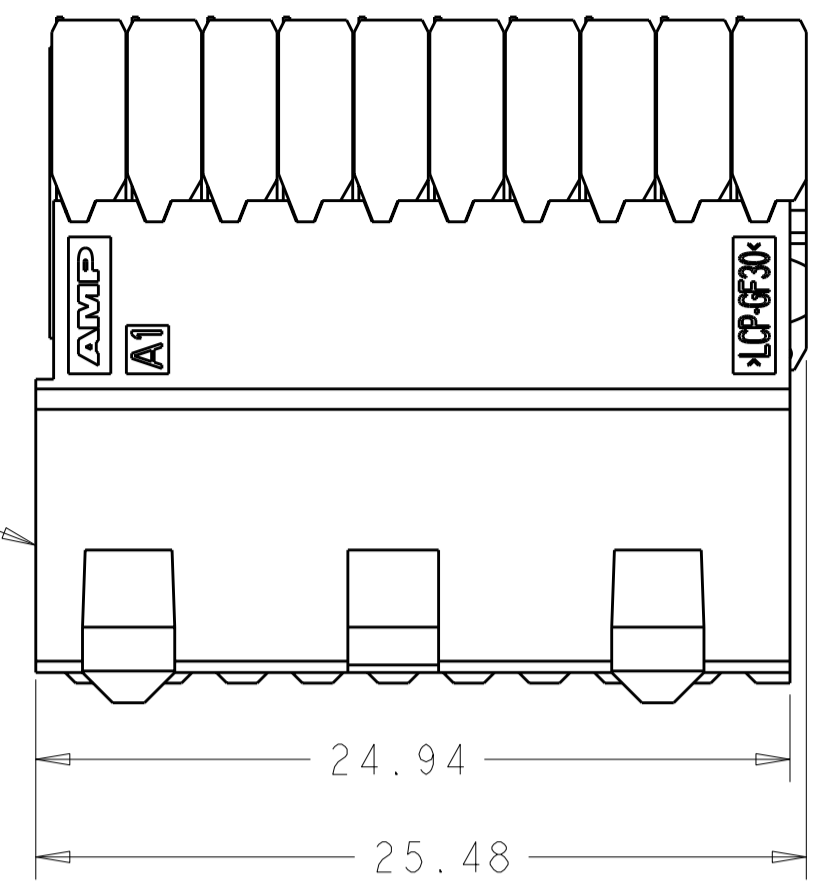


THIS DRAWING IS UNPUBLISHED. RELEASED FOR PUBLICATION 20  
 © COPYRIGHT 20 ALL RIGHTS RESERVED.

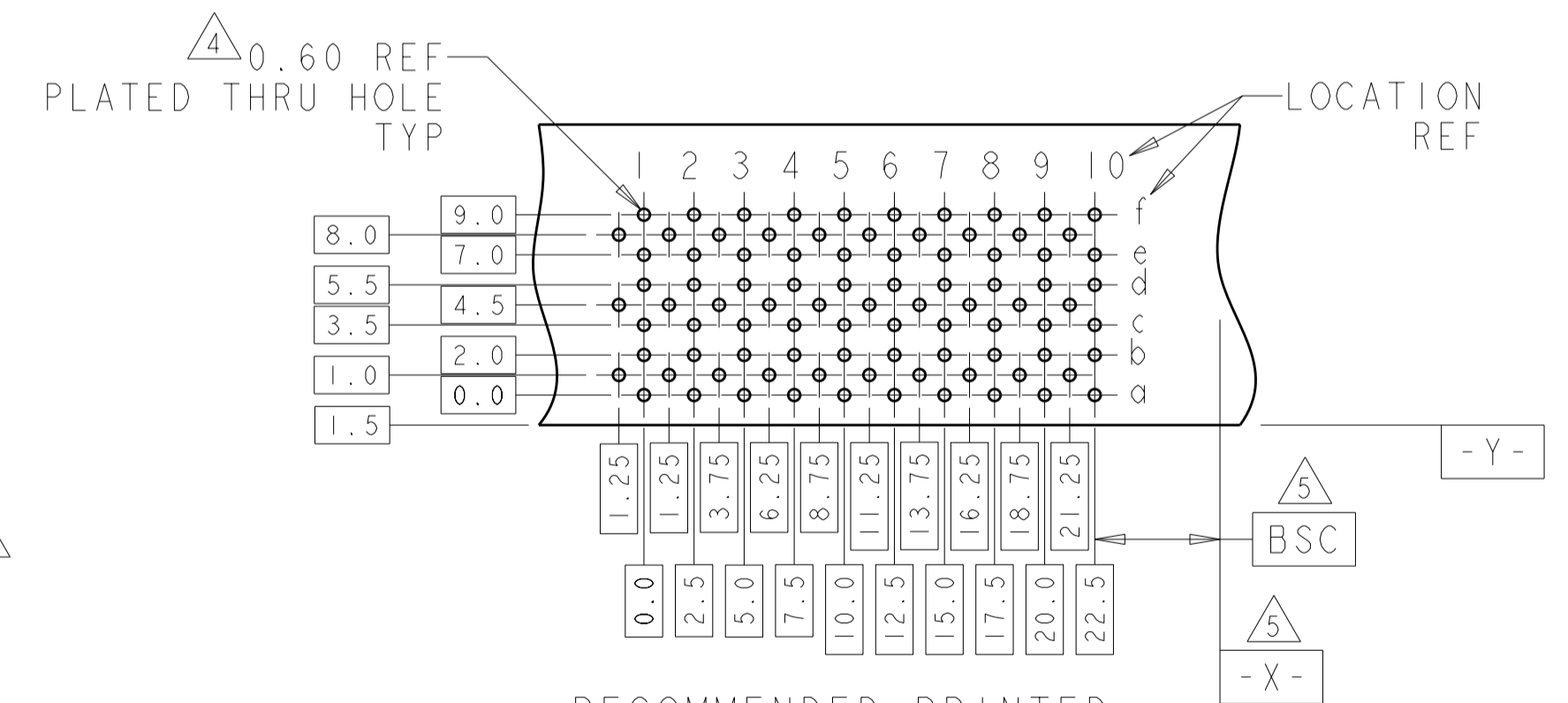
LOC		DIST		REVISIONS			
P	LTR	DESCRIPTION	DATE	DWN	APVD		
	A	REVISED EPR ECO-11-013132	13JUL2011	HMR	MH		



CONTACT QTY: 60  
 HOUSING QTY: 1



- 1 CONTACT MATING AREA MEETS THE PERFORMANCE REQUIREMENTS OF TE CONNECTIVITY PRODUCT SPECIFICATION 108-1957; BASED ON TELCORDIA GR-1217-CORE, APPLICATIONS IN UNCONTROLLED ENVIRONMENTS.
- 2 0.76µm MIN TIN OVER 1.27µm MIN NICKEL
- 3 MATERIAL:  
CONTACT - COPPER ALLOY  
SHIELD - PHOSPHOR BRONZE  
HOUSING - LCP, UL94V-0  
CHICKLET - GLASS FILLED POLYESTER
- 4 REFERENCE APPLICATION SPEC 114-13020 FOR RECOMMENDED PLATED THRU HOLE DIAMETER AND PLATING THICKNESS.
- 5 DATUM AND BASIC DIMENSION ESTABLISHED BY CUSTOMER.
- 6 SEATING HEIGHT TO BOARD SURFACE.
- 7 CONTACT AREA LUBRICATED WITH BELLCORE APPROVED LUBRICANT. TECHNICAL REFERENCE: GR-1217-CORE, ISSUE 1, NOVEMBER 1995.
- 8 DATE CODE
- 9 PART NUMBER



RECOMMENDED PRINTED  
 CIRCUIT BOARD LAYOUT  
 COMPONENT SIDE OF PRINTED CIRCUIT BOARD  
 SCALE 3:1

5120786-1  
 PART NUMBER

THIS DRAWING IS A CONTROLLED DOCUMENT.		DWN B. CARBO 07DEC04	TE Connectivity	
DIMENSIONS: mm		CHK R. PATTERSON 07DEC04		
TOLERANCES UNLESS OTHERWISE SPECIFIED:		APVD R. PATTERSON 07DEC04	NAME RECEPTACLE ASSEMBLY, 60 POSITION, 6 ROW, DUAL BEAM, Z-PACK HS3	
0 PLC ±		PRODUCT SPEC 108-1957	SIZE A2	
1 PLC ±		APPLICATION SPEC 114-13020	CAGE CODE 00779	
2 PLC ±0.13		WEIGHT -	DRAWING NO 5120786	
3 PLC ±0.050		FINISH SOLDER TAIL: 1	RESTRICTED TO -	
4 PLC ±		SOLDER TAIL: 2	SCALE 3:1	
ANGLES ±		CUSTOMER DRAWING	SHEET 1 OF 1	
MATERIAL			REV A	